



# INDECO

## DEMOLITION ATTACHMENTS

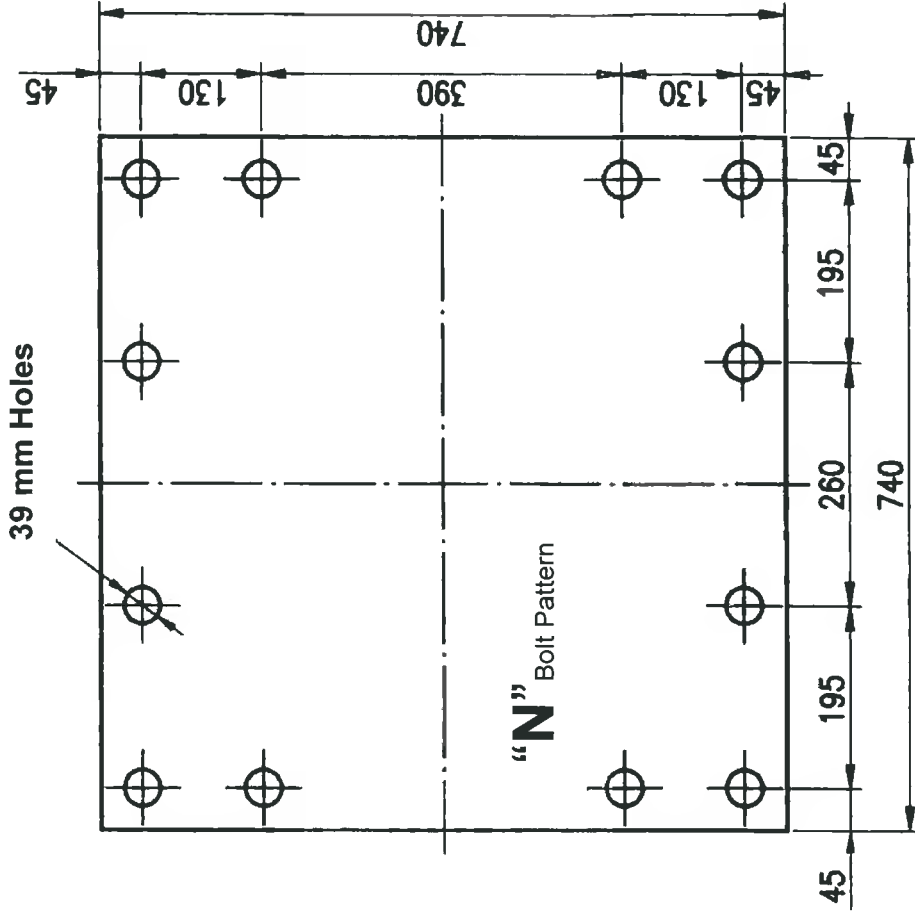
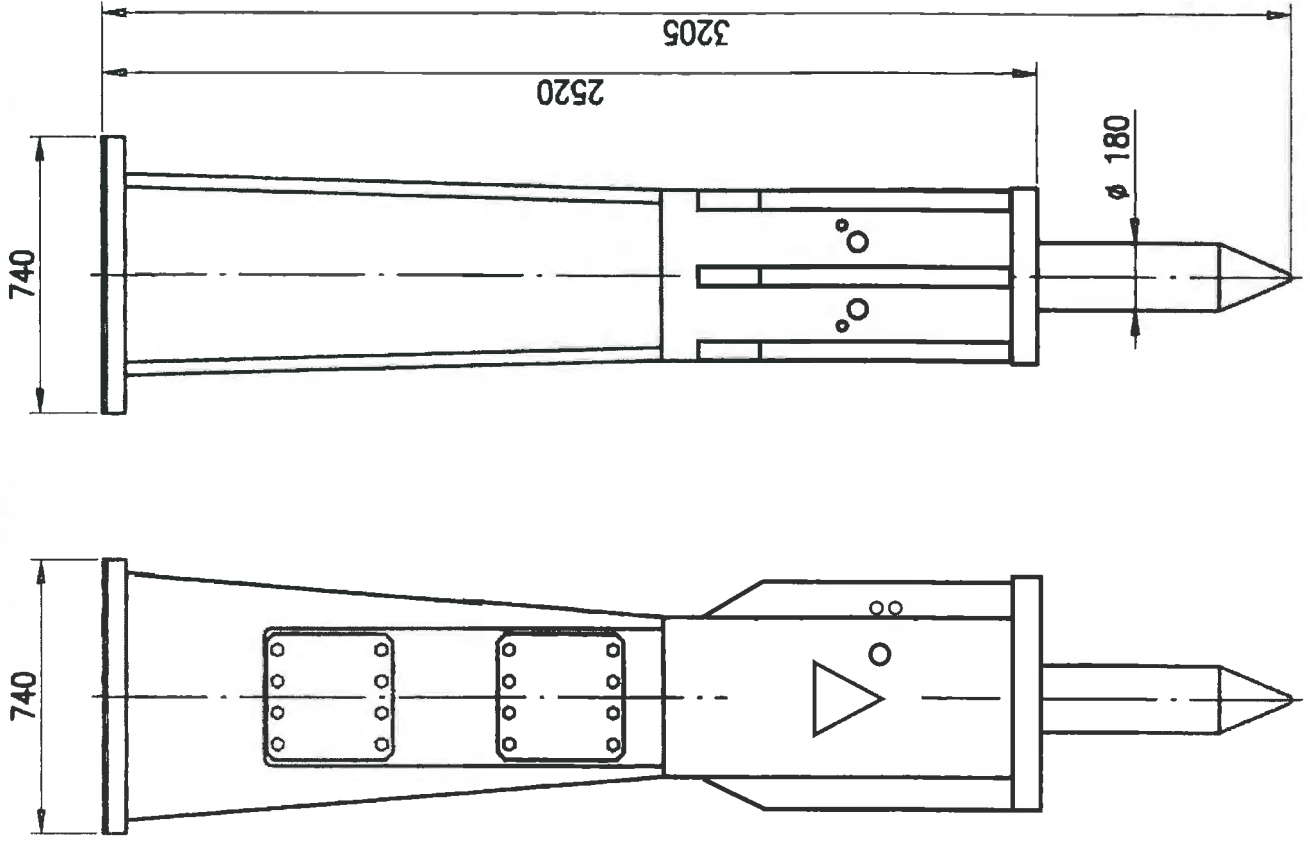
# PARTS MANUAL



# HP 12001-ABF

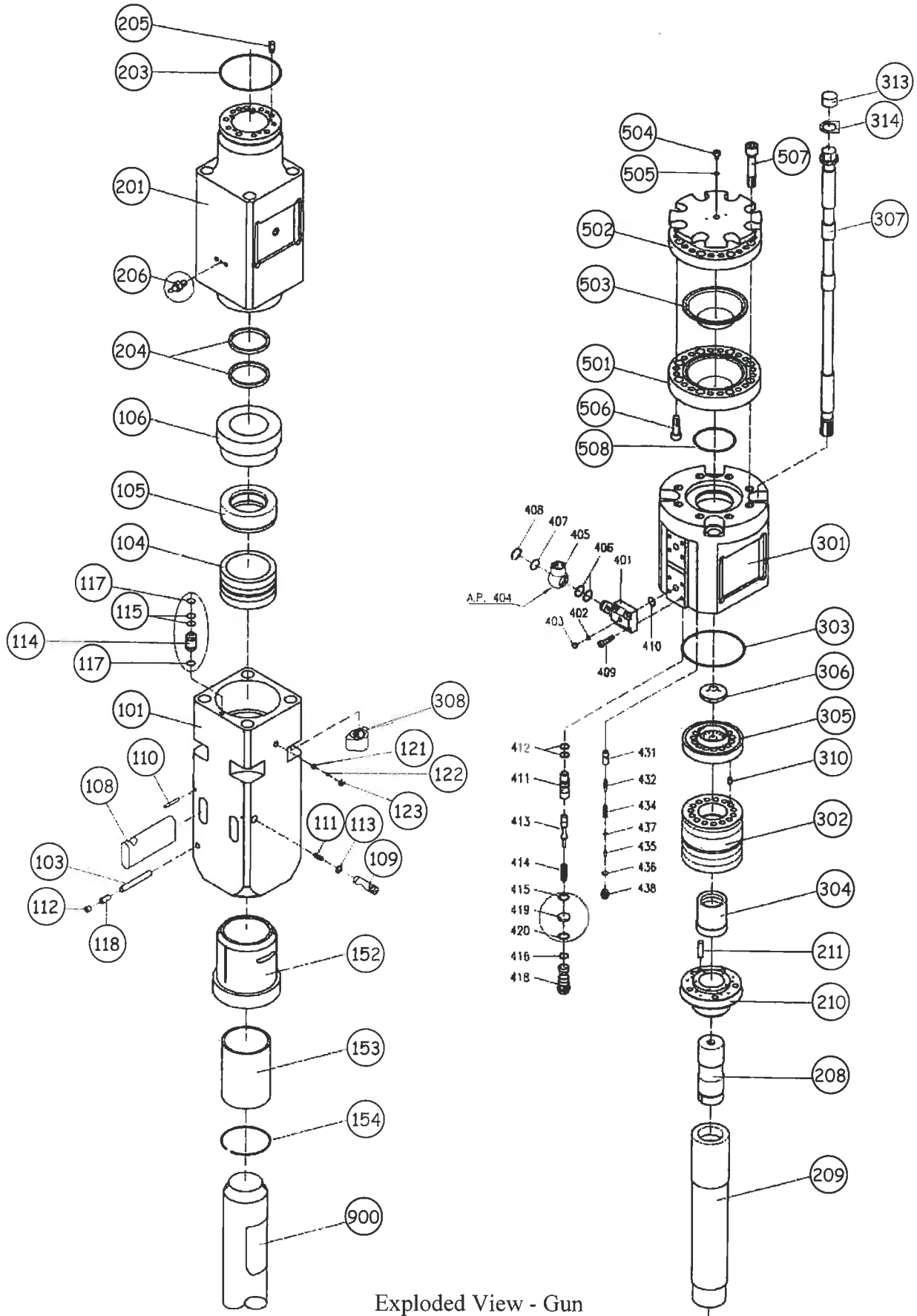
## HYDRAULIC BREAKER

# INDECO – HP 12001-ABF



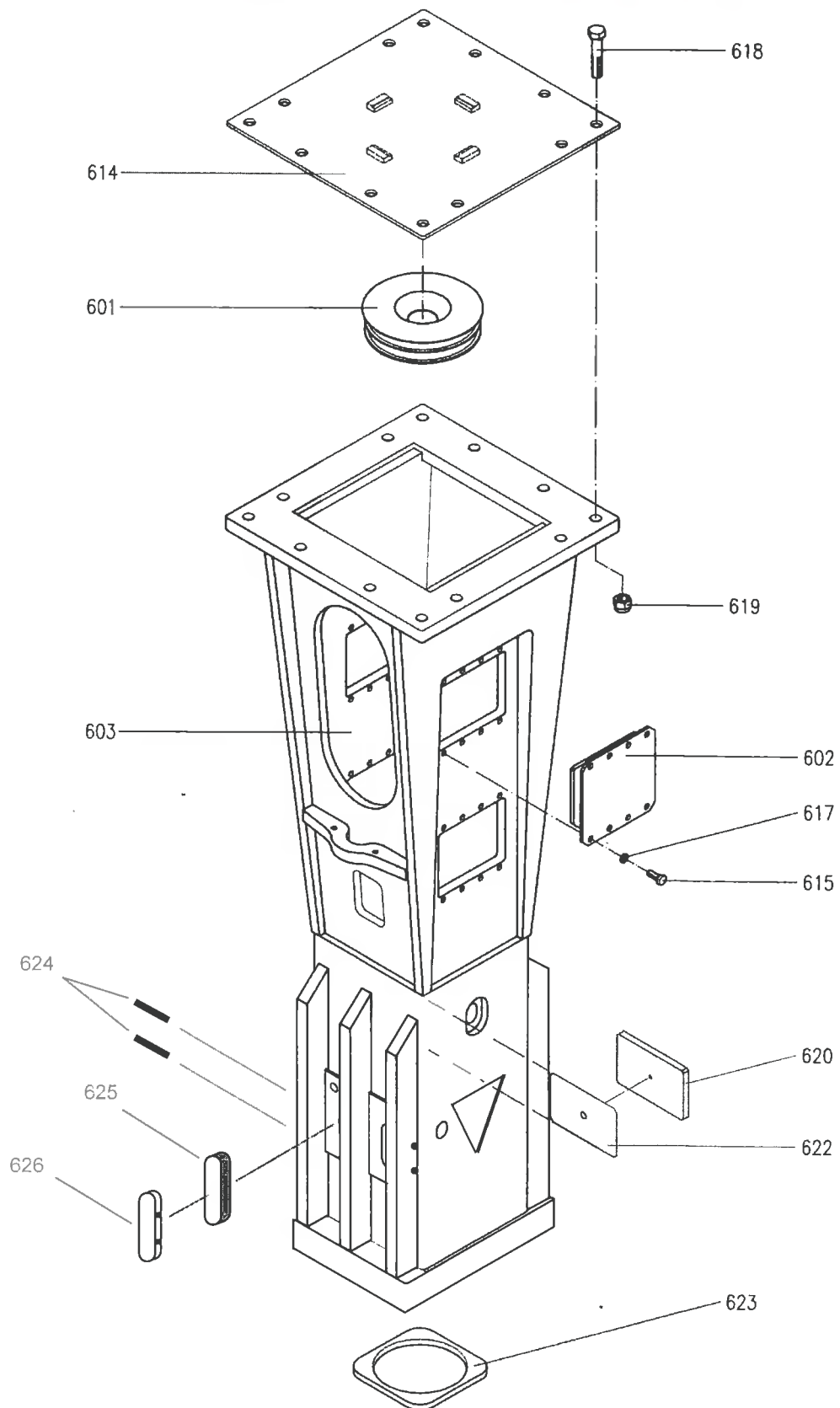
Measurements are in Millimeters

# INDECO - HP 12001-ABF



Exploded View - Gun

# INDECO - HP 12001-ABF



Exploded View - Casing Assembly

# INDECO - HP 12001-ABF

POS #	QTY	INA Part #	Description
101	1	HP121- 1010A	CHUCK HOUSING - ASSEMBLY
103	1	3501030	INSERT BUSH PIN
104	1	HP121- 1040	UPPER BUSH
105	1	HP121- 1050	SPACER
106	1	7001060	SPACER RING
108	2	HP121- 1080	RETAINING AXLE
109a	2	HP121- 1090	LOCK BOLT - PUSH AND TURN
109b	2	HP121- 1095	LOCK BOLT - SOLID
110	2	330111	ELASTIC PIN
111	2	8501110	SPRING
113	2	100391	O-RING
114	1	7001140	PIN
115	2	100461	O-RING
117	2	100711	O-RING
118	2	330262	ELASTIC PIN
121	1	3501210	SEAT
122	1	3501220	PLATE
123	1	3501230	FLANGE
152	1	HP121- 1520	INSERT HOLDER
153a	1	HP121- 1538	INSERT BUSH - STEEL
153b	1	HP121- 1537	INSERT BUSH - BRONZE
154	1	HP121- 1540	CIRCLIP
201	1	HP121- 2010	CYLINDER
203	1	100471	O-RING
204	2	110151	SEAL - U JOINT
205	5	HP121- 2050	CHECK VALVE
206	1	270011	GREASE NIPPLE
209	1	HP121- 2090	PISTON
210	1	HP121- 2100	GUIDE ADAPTER
211	1	340141	PIN
301	1	HP121- 3010	HEAD
302	1	HP121- 3020	DISTRIBUTOR BOX BODY
303	1	100472	O-RING
304	1	HP121- 3040	DISTRIBUTOR
305	1	HP121- 3050	BOX BODY COVER
305a	1	HP121- 3050A	COVER ASSEMBLY
306	1	HP121- 3060	STEEL DIAPHRAGM
307	4	HP121- 3070	SIDE ROD
308	4	HP121- 3080	SIDE ROD NUT
310	1	8503100	PIN
313	4	5003130	RUBBER STOP
314	4	7003140	SIDE ROD LOCK
401	2	5004010	LINK
402	2	120011	SEALING WASHER
403	2	200011	PLUG 1/4" GAS
404	1	5004040	HP CONNECTION

# INDECO - HP 12001-ABF

POS #	QTY	INA Part #	Description
405	1	5004050	LP CONNECTION
406	4	100052	O-RING
407	2	2707192	WASHER
408	2	350011	SEEGER
409	8	300011	BOLT
410	2	100332	O-RING
411	1	5004110B	BARREL
412	2	100032	O-RING
413	1	5004130B	SLIDE
414	1	400011	SPRING
415	7	360011	ADJUSTMENT SHIM
416	1	100071	O-RING
418	1	8504180A	GUIDING PLUG
419	1	3504190	SPACING DISK
420	2	360071	ADJUSTMENT SHIM
431	1	3504315	VALVE BODY
432	1	3504325	NEEDLE
434	1	400061	SPRING
435	1	340111	SPACER BARREL
436	1	100171	O-RING
437	7	360021	ADJUSTMENT SHIM
438	1	3504380	PLUG
501	1	HP121- 5010	ACC. SHELL-LOWER HALF
502	1	HP121- 5020	ACC. SHELL-UPPER HALF
503	1	HP121- 5030P	DIAPHRAGM
504	1	2704041	INFLATION SCREW
505	1	120021	SEALING RING
506	16	300191	SHELL FIXING SCREW
507	8	HP121- 5070	ACCUMULATOR BOLT
508	1	100602	O-RING
601	1	HP121- 6010	UPPER SHOCK ABSORBER
602	4	HP121- 6020	SIDE SHOCK ABSORBER
603	1	HP121- 6030	CASING
614	1	HP121- 6140	SHOCK ABSORBER HOLDER
615	32	310201	SIDE SHOCK BOLTS
617	32	290011	DISK-LOCK WASHER
620	4	1506200	WEAR PLATE
622a	4	1506220036	WEAR PLATE SHIM .036"
622b	4	1506220048	WEAR PLATE SHIM .048"
623	1	HP121- 6230	LOWER SHOCK ABSORBER
624	2	330131	ROLL PIN
625	2	7006250	PLASTIC PLUG
626	2	HP121- 6260	STEEL PLUG
800	1	HP121- 8000K	SEAL KIT
900a	1	HP121- 9100	MOIL
900b	1	HP121- 9010	CHISEL
900c	1	HP121- 9030	BLUNT