

# INDECO

## DEMOLITION ATTACHMENTS



# PARTS MANUAL

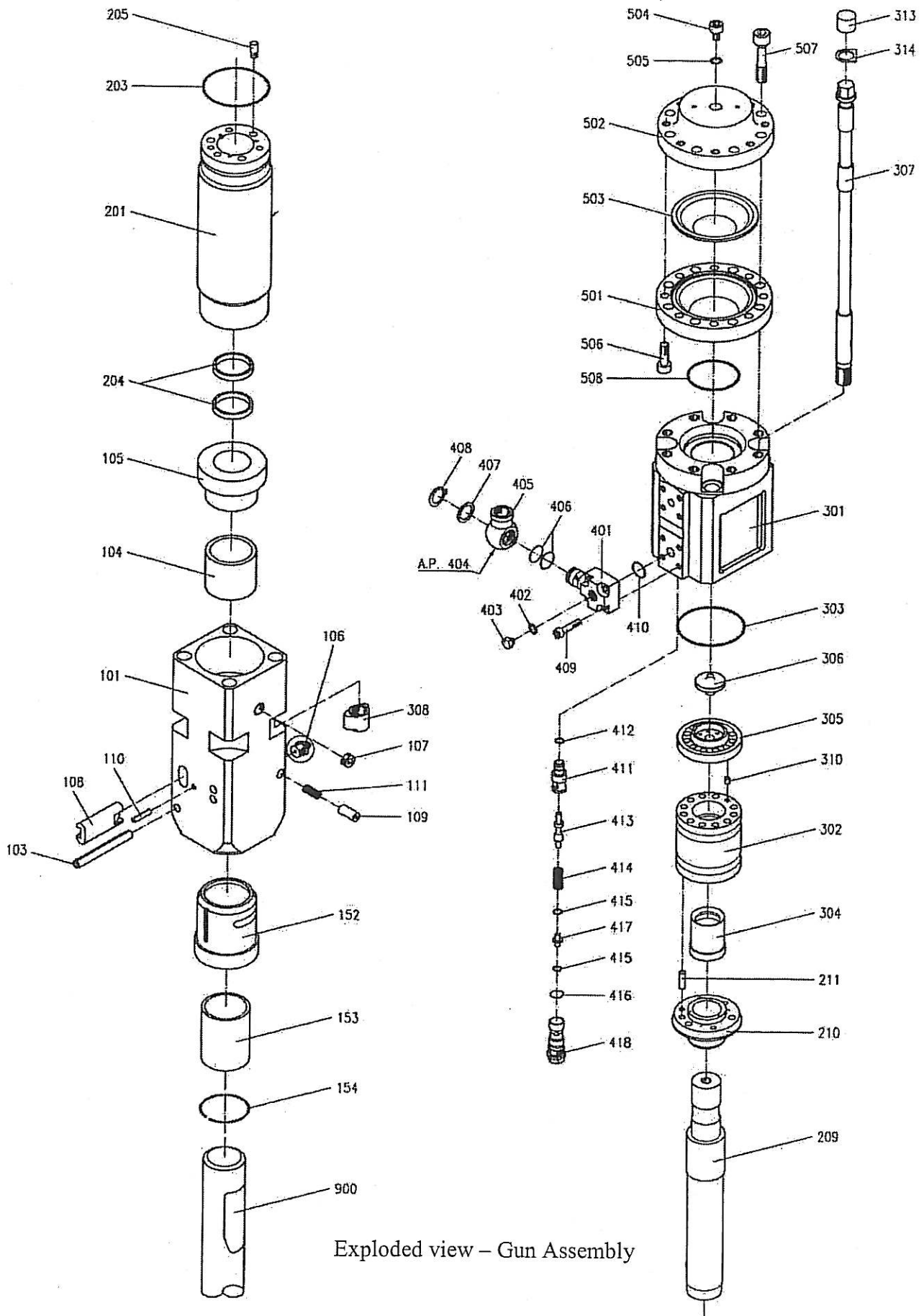


# HP 1500

## HYDRAULIC BREAKER

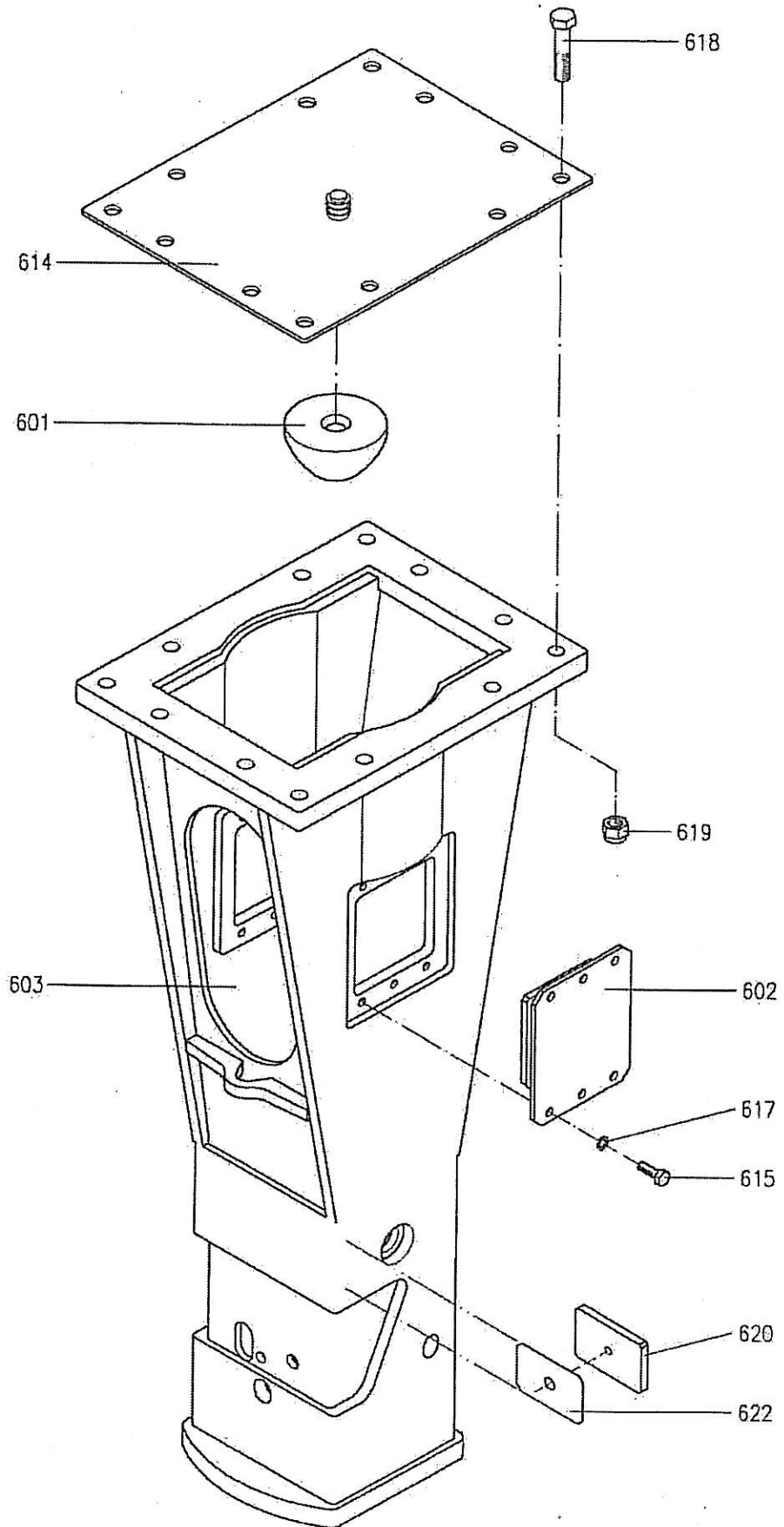


# INDECO - HP 1500



Exploded view - Gun Assembly

# INDECO – HP 1500



Exploded View – Casing Assembly

# INDECO - HP 1500

POS #	QTY	INA Part #	Description
101	1	HP01500 1010A	CHUCK HOUSING - ASSEMBLY
103	1	330231	INSERT BUSH PIN
104	1	HP01500 1040	
105	1	HP01500 1050	SPACER
106	1	270011	GREASE NIPPLE
107	1	190011	PLUG
108	2	HP01500 1080	RETAINING AXLE
109	2	HP01500 1090	LOCK BOLT - PUSH AND TURN
110	2	330081	ELASTIC PIN
111	2	8501110	SPRING
152	1	HP01500 1520	INSERT HOLDER
153a	1	HP01500 1538	INSERT BUSH - STEEL
153b	1	HP01500 1537	INSERT BUSH - BRONZE
153c	1	HP01500 1530	INSERT BUSH - PLASTIC
154	1	HP01500 1540	CIRCLIP
201	1	HP01500 2010	CYLINDER
203	1	100181	O-RING
204	2	110041	SEAL - U JOINT
205	3	HP01500 2050	CHECK VALVE
209	1	HP01500 2090	PISTON
210	1	HP01500 2100	GUIDE ADAPTER
211	1	340121	PIN
301	1	HP01500 3010	HEAD
302	1	HP01500 3020	DISTRIBUTOR BOX BODY
303	1	100183	O-RING
304	1	HP01500 3040	DISTRIBUTOR
305	1	HP01500 3050	BOX BODY COVER
305a	1	HP01500 3050A	COVER ASSEMBLY
306	1	HP01500 3060	STEEL DIAPHRAGM
307	4	HP01500 3070	SIDE BOLT
308	4	HP01500 3080	NUT
310	1	4502110	PIN
313	4	0603130	RUBBER STOP
314	4	0603140	LOCK-SIDE BOLT
401	2	0604010	LINK
402	2	120011	SEALING WASHER
403	2	200011	PLUG 1/4" GAS
404	1	1207140	HP CONNECTION
405	1	1207150	LP CONNECTION
406	4	100032	O-RING
407	2	1207190	WASHER
408	2	350031	SEEGER
409	8	300171	BOLT
410	2	100062	O-RING
411	1	0801400	BARREL

# INDECO - HP 1500

POS #	QTY	INA Part #	Description
412	1	100162	O-RING
413	1	0801430	SLIDE
414	1	400061	SPRING
415	11	360021	ADJUSTMENT SHIM
416	1	100171	O-RING
417	1	1304170	SPACER BARREL
418	1	1304180	GUIDING PLUG
501	1	HP01500 5010	ACC. SHELL-LOWER HALF
502	1	HP01500 5020	ACC. SHELL-UPPER HALF
503	1	HP01500 5030P	DIAPHRAGM
504	1	2704041	INFLATION SCREW
505	1	120021	SEALING RING
506	8	300091	SHELL FIXING SCREW
507	8	HP01500 5070	ACCUMULATOR BOLT
508	1	100372	O-RING
601	1	HP01500 6010	UPPER SHOCK ABSORBER
602	4	HP01500 6020	SIDE SHOCK ABSORBER
603	1	HP01500 6030	CASING
614	1	HP01500 6140	SHOCK ABSORBER HOLDER
615	12	310011	SIDE SHOCK BOLTS
617	12	290031	DISK-LOCK WASHER
618	10	310181	TOP CAP BOLT
619	10	320031	TOP CAP NUT
620	2	1706200	WEAR PLATE
622a	2	1706220036	WEAR PLATE SHIM .036"
622b	2	1706220048	WEAR PLATE SHIM .048"
<b>800</b>	<b>1</b>	<b>HP01500 8000K</b>	<b>SEAL KIT</b>
900a	1	HP01500 9100	MOIL
900b	1	HP01500 9010	CHISEL
900c	1	HP01500 9030	BLUNT